

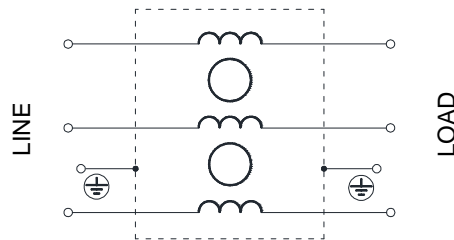
1 Features

- 3-phase 3-wire reactor, widely used in inverter’s output
- Excellent in EMI control
- Customization accepted

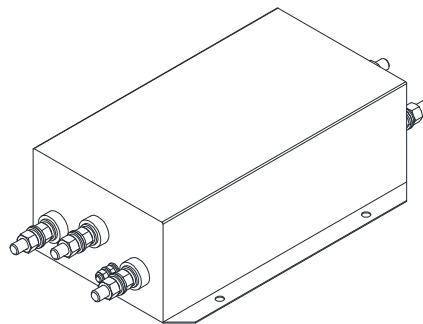
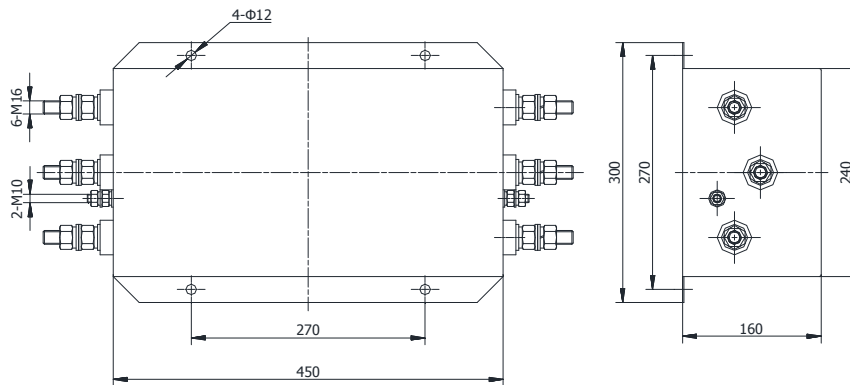
2 Technical Data

| Type | Rated Voltage | Rated Current | Hi-Pot Test Voltage | |
|------------------|---------------|---------------|---------------------|-------------|
| | | | Line-Line | Line-Ground |
| DNF65-REC-3X390A | 440V/50~60Hz | 390A | 1500VDC,2s | 2000VAC,2s |
| DNF65-REC-3X460A | 440V/50~60Hz | 460A | 1500VDC,2s | 2000VAC,2s |

3 Electrical Schematic



4 Dimensions (Unit:mm)



5 Installation Instructions

- 1) Good electrical connection is needed between filter casing and equipment shell.
- 2) Connecting the filter's input and output according to the provision on the label of LINE and LOAD.
- 3) The input wiring and the output wiring should be strictly separated, cannot be bundled together.