

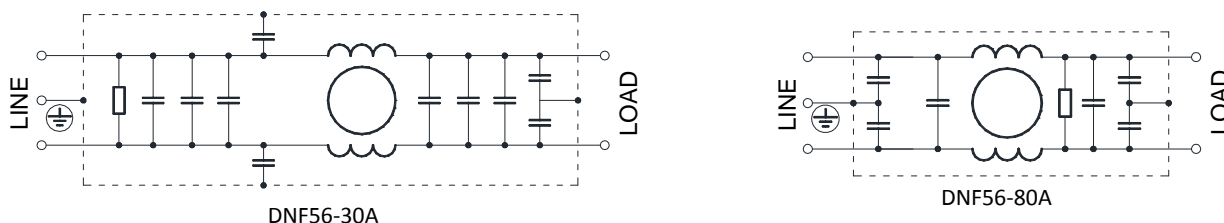
1 Features

- General purpose EMI filter with excellent insertion losses
- Customization accepted

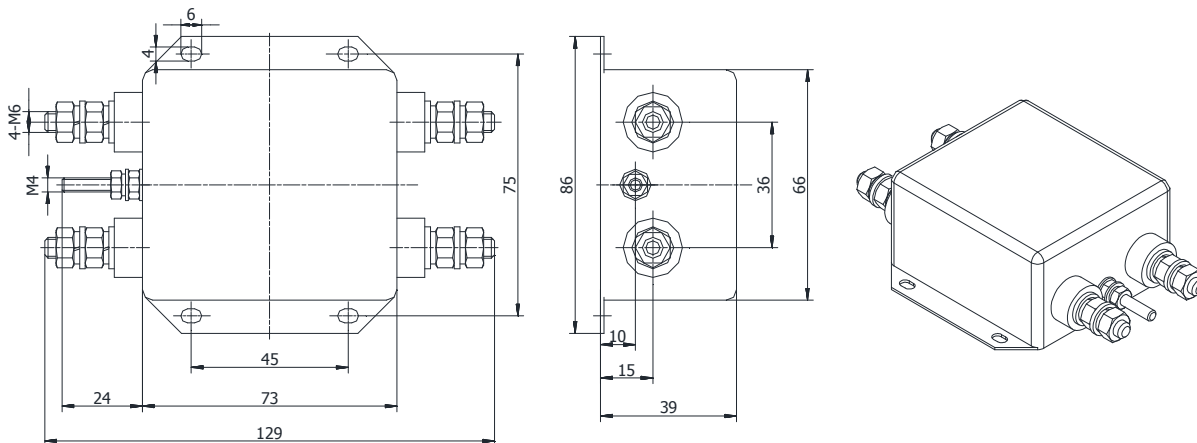
2 Technical Data

Type	Rated Voltage	Rated Current	Hi-Pot Test Voltage	
			Line-Line	Line-Ground
DNF56-30A	80VDC	30A	300VDC,2s	1000VDC,2s
DNF56-80A	80VDC	80A	300VDC,2s	1000VDC,2s

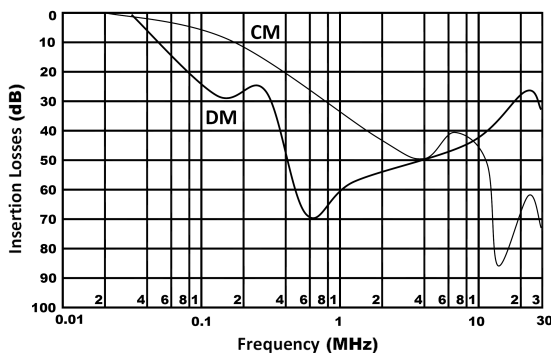
3 Electrical Schematic



4 Dimensions (Unit:mm)



5 Typical Insertion Losses In 50Ω System: (CM-Common Mode DM-Different Mode)



6 Installation Instructions

- 1) Good electrical connection is needed between filter casing and equipment shell.
- 2) Connecting the filter's input and output according to the provision on the label of LINE and LOAD.
- 3) The input wiring and the output wiring should be strictly separated, cannot be bundled together.